



ALBA POS

15" Intel® Celeron® J1900 POS Terminal



Features

- 15" true-flat PCAP touch
- Intel® Processor Bay-Trail J1900
- 100% fanless design
- Easy accessible 2.5" HDD for installation and maintenance
- Die-casting (aluminum) stand

System

CPU/Chipset	Intel® Celeron® Processor Bay-Trail J1900, up to 2.42GHz
System Memory	Support up to 8GB DDR3 L
Storage	1 x 2.5" SSD
Dimensions (WxHxD)	361.6 x 312.7 x 207.5 mm (14.24" x 12.31" x 8.17")
Gross Weight	3.94 kg (8.69 lb)
Mounting	VESA Mount 75x75 mm

I/O

Serial Port	3 x RJ-50 for RS-232 ports via COM port connectors
USB Port	4 x USB 2.0 Type-A
LAN Port	1 x RJ-45 10/100/1000Mbps Ethernet
VGA Port	1 x DB-15 Interface
DC Jack	1 x DC12V, 2.5mm DC Jack
Cash Drawer	1 x RJ11
Button	1 x Power Button

LCD Display

Size/Type	15" TFT LCD
Max. Resolution	1024 x 768
Luminance	300 cd/m ² (typ.)
Touch Screen	True-Flat PCAP Touch

Power

Power Supply	60W/12V DC Jack Adapter
--------------	-------------------------

Peripheral (option)

MSR	3-Track MSR (USB)
2nd Display	8" 1024 x 600 (optional PCAP touch)
Customer Display	LCM Display 2 x 20 characters (USB) (only supports Windows 10 IoT)

Environment

Operating Temp.	0°C ~ 40°C, 20%RH ~ 90%RH
Storage Temp.	-20°C ~ 60°C, 10%RH ~ 90%RH

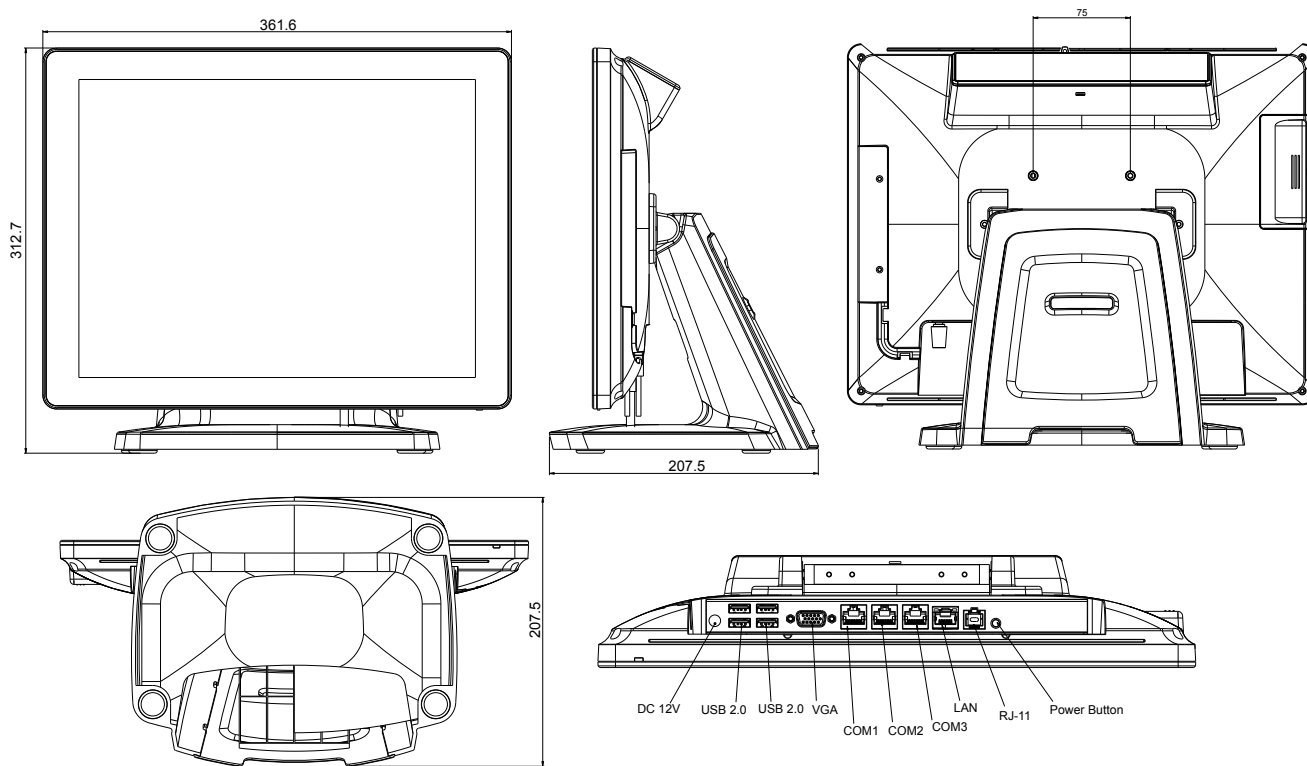
Ceterfication

CE, FCC

O/S Support

Windows 10 , Windows 10 IoT

Dimensions



Unit: mm

Standard Accessories

60W/12V DC Jack Adapter

RJ50 to COM Port Connector