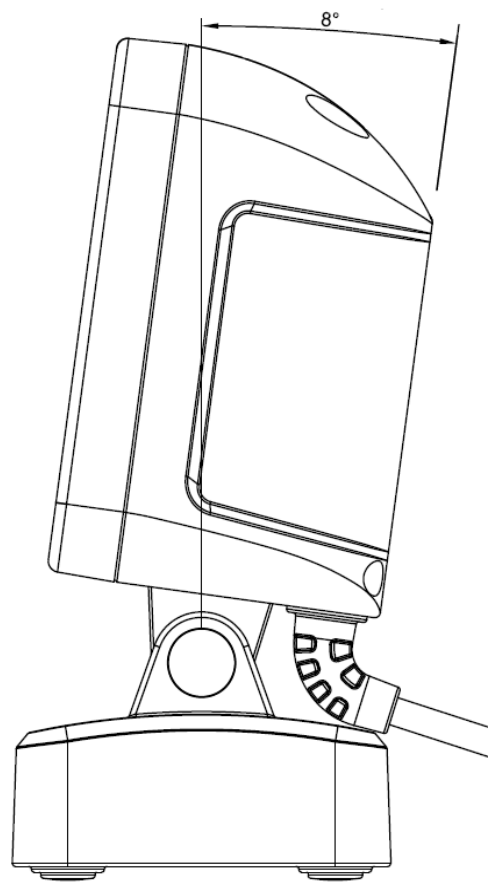
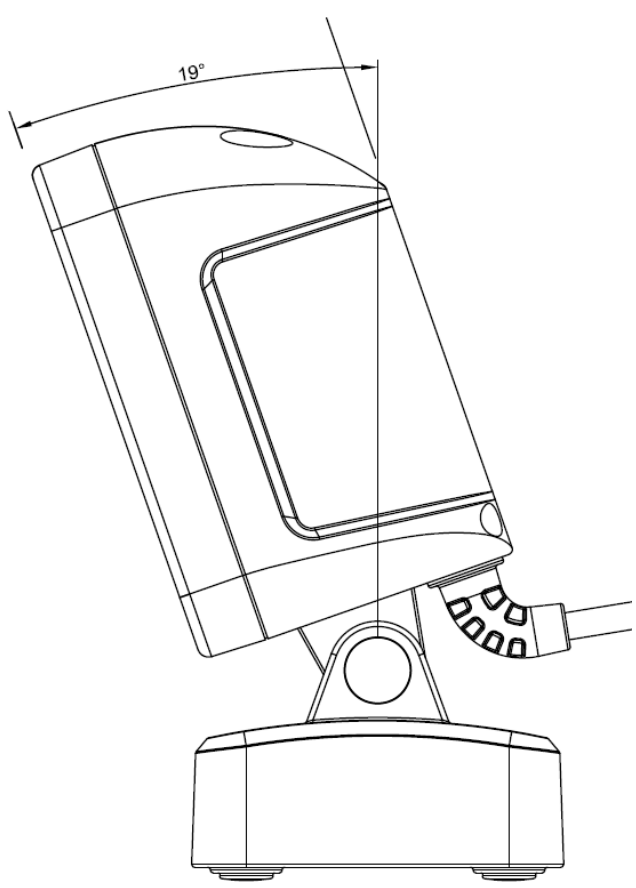
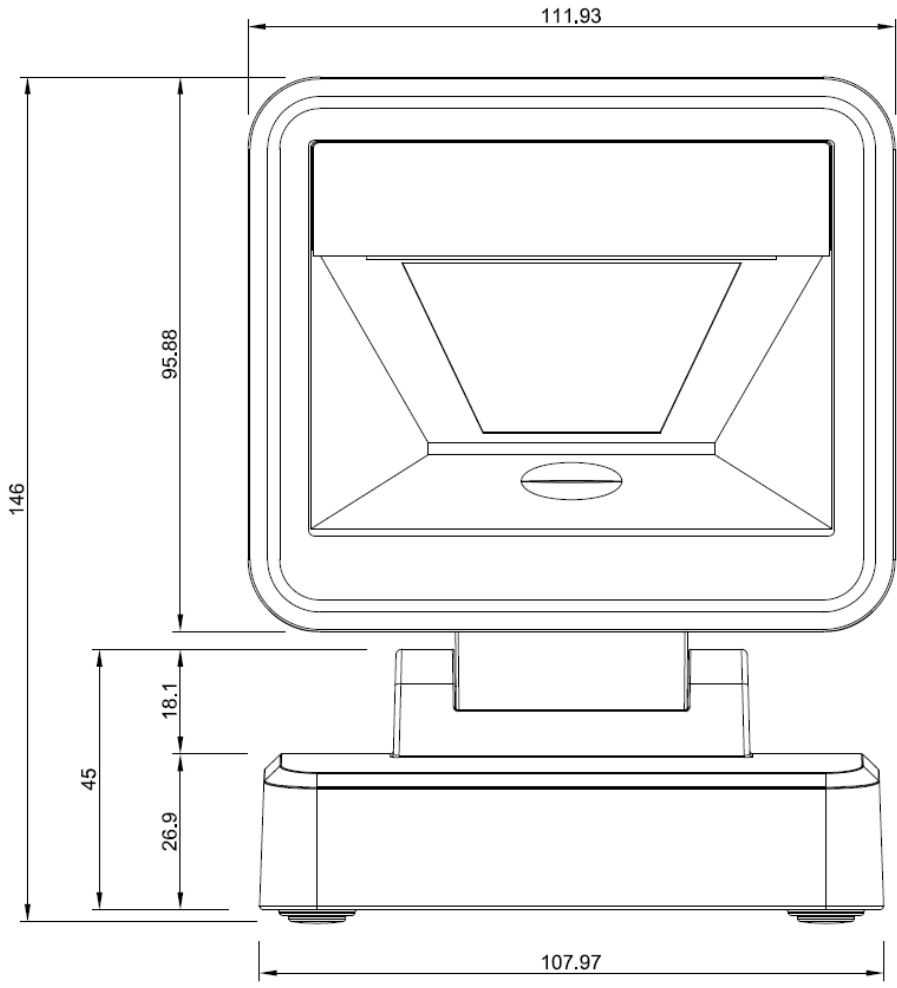




AP9208 2D Desktop Barcode Scanner

- Equipped with patented advanced decoding algorithm software, combined with a 2m/s motion tolerance and a large reading angle, deliver an extremely smooth decoding experience.
- Quickly read screen codes and printed codes, support printed codes with a printing contrast of more than 15% and various damaged, wrinkled, or poor printing quality product barcodes.
- Compatible with operating systems, Windows, Mac OS, Linux, Android and iOS, standard USB interface, RS-232 and HID POS for option.
- Less counter space and large scanning viewing and FOV angle. Support free adjustment of the scan window angle front and back, bringing an intuitive experience to users.



AP9208 Specification

Performance Parameter																									
Light Source	LED Red light (Osram from Germany)																								
CPU	1.2G Dual-core																								
Image sensor	640*480 pixels Global Shutter																								
Image speed	120FPS																								
Resolution(maximum)	0.102mm / 4mils																								
Print contrast ratio(minimum)	≥15%																								
Motion tolerance	2M/sec																								
Reading Angle	Pitch: 0-360°; Roll(Tilt): ±60°; Skew (Yaw): ±60°																								
Angle of field of view	Horizontal: 50°; Vertical: 38°																								
Decoding Capability	1D: All standard 1D codes, including GS1 DataBar™ linear code can be automatically distinguished and decoded. 2D: Aztec Code; Data Matrix; MaxiCode; QRCode; HANXIN; MicroQR Code Stack code: GS1 DataBar Expanded Stacked; GS1 DataBar Stacked; GS1 DataBar Stacked Omnidirectional; GS1 DataBar Composite; MicroPDF417; PDF417.																								
Reading Indicators	LED light&Buzzer(adjustable tone and volume)																								
Typical depth of Field	<table border="1"> <thead> <tr> <th>Precision</th> <th>Barcode</th> <th>Depth of Field</th> </tr> </thead> <tbody> <tr> <td>5mil</td> <td>CODE128</td> <td>0mm—70mm</td> </tr> <tr> <td>5mil</td> <td>EAN-13</td> <td>0mm—70mm</td> </tr> <tr> <td>13.34mil</td> <td>EAN-13</td> <td>0mm—240mm</td> </tr> <tr> <td>5mil</td> <td>PDF417</td> <td>5mm—60mm</td> </tr> <tr> <td>10mil</td> <td>PDF417</td> <td>0mm—170mm</td> </tr> <tr> <td>15mil</td> <td>PDF417</td> <td>0mm—280mm</td> </tr> <tr> <td>20mil</td> <td>DM</td> <td>5mm—80mm</td> </tr> </tbody> </table> <p>(The minimum depth of field is determined by the barcode length and scanning angle. It depends on the print resolution, contrast and ambient light.)</p>	Precision	Barcode	Depth of Field	5mil	CODE128	0mm—70mm	5mil	EAN-13	0mm—70mm	13.34mil	EAN-13	0mm—240mm	5mil	PDF417	5mm—60mm	10mil	PDF417	0mm—170mm	15mil	PDF417	0mm—280mm	20mil	DM	5mm—80mm
Precision	Barcode	Depth of Field																							
5mil	CODE128	0mm—70mm																							
5mil	EAN-13	0mm—70mm																							
13.34mil	EAN-13	0mm—240mm																							
5mil	PDF417	5mm—60mm																							
10mil	PDF417	0mm—170mm																							
15mil	PDF417	0mm—280mm																							
20mil	DM	5mm—80mm																							
Electrical Parameter																									
Current	Working current (Standard): < 300 mA Standby current (Standard): < 210 mA																								
Input Voltage	5 VDC (+/- 10%)/500mA																								
Environmental Parameter																									
ESD protection	Touch 8 kV; Air 15kV																								
Drop resistance	Withstands repeated drops from 1.2m/4.0 ft onto a concrete surface.																								
Particulate and water sealing	IP52																								
Temperature	Operation: -10 to 50 °C Storage/Transport: -40 to 70 °C																								
Humidity(non-condensing)	5 - 95%																								
Ambient light	0 -100,000 lux																								
Interfaces																									
Interfaces	RS-232; USB HID; USB COM; HID POS available as per customer's needs																								



天時科技有限公司
ACTION-PLUS CO., LTD
Tel : (852) 2803 0306
  **: (852) 9807 7382**
Website: www.action-plus.com.hk