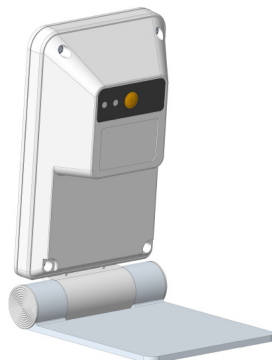
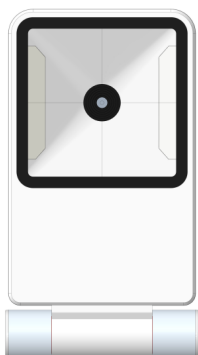
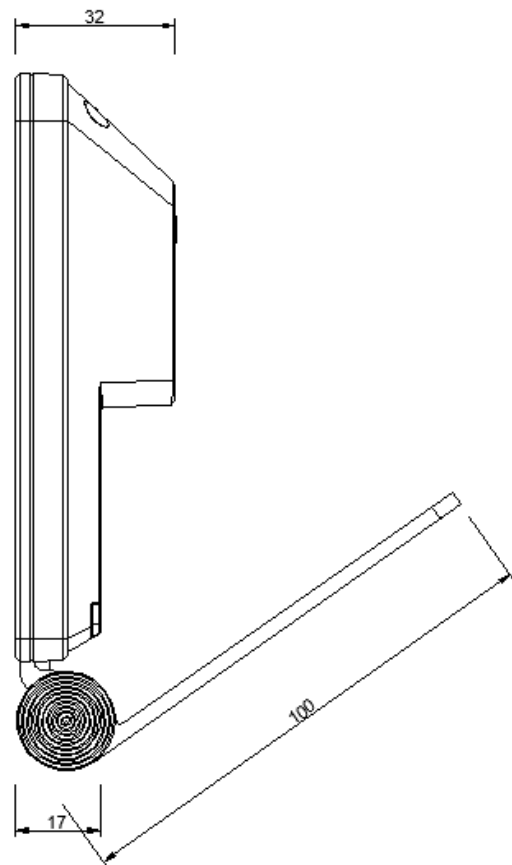
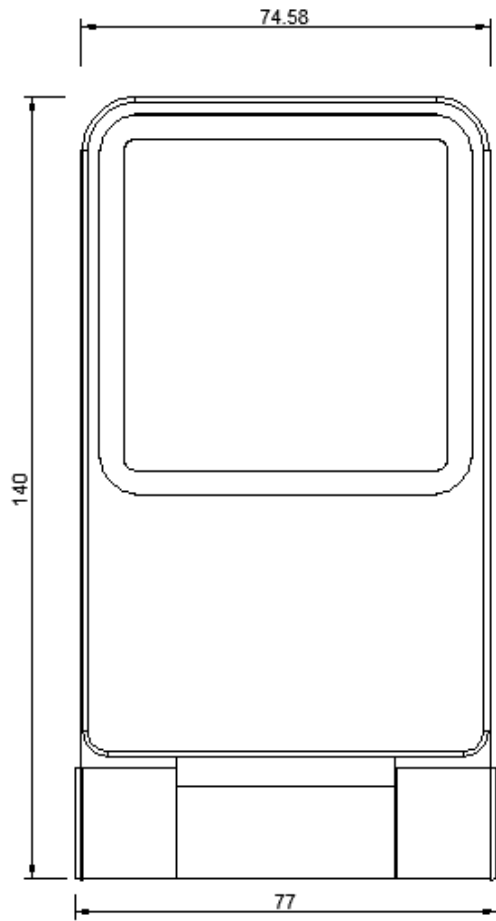




## AP2200 2D Desktop Barcode Scanner

- Equipped with patented advanced software decoding algorithms and ultra-wide scanning angles. Deliver smooth decoding performance.
- Rapidly decode screen codes and printed codes, support printed codes with printing contrast as low as 20% and damaged, wrinkled, or poor printing quality barcodes.
- Compatible with operating systems - Windows, Mac OS, Linux, Android and iOS, standard USB interface and driver free plug-and-play.
- Ultra-thin design for minimal desk space. Foldable structure supports free adjustment of the scan window angle.





天時科技有限公司  
**ACTION-PLUS CO., LTD**  
Tel : (852) 2803 0306  
WhatsApp : (852) 9807 7382  
Website: [www.action-plus.com.hk](http://www.action-plus.com.hk)

# AP2200 Specification

Performance Parameter																									
Light Source	LED White light																								
Image sensor	640*480 pixels																								
Image speed	80 FPS																								
Resolution (maximum)	0.102 mm / 4 mils																								
Print contrast ratio (minimum)	≥20%																								
Motion tolerance	1.22 M/sec																								
Reading Angle	Pitch: 0 - 360°; Roll(Tilt): ±60°; Skew (Yaw): ±60°																								
Decoding Capability	1D: All standard 1D codes, including GS1 DataBar™ linear code can be automatically distinguished and decoded 2D: Aztec Code, Data Matrix, MaxiCode, QR Code, HANXIN, MicroQR Code Stack Code: GS1 DataBar Expanded Stacked, GS1 DataBar Stacked, GS1 DataBar Stacked Omnidirectional, GS1 DataBar Composite, MicroPDF417, PDF417																								
Reading Indicators	LED light & Buzzer (adjustable tone and volume )																								
Typical depth of Field	<table border="1"> <thead> <tr> <th>Precision</th> <th>Barcode</th> <th>Depth of Field</th> </tr> </thead> <tbody> <tr> <td>5mil</td> <td>CODE128</td> <td>40mm - 110mm</td> </tr> <tr> <td>5mil</td> <td>EAN-13</td> <td>40mm - 110mm</td> </tr> <tr> <td>13.34mil</td> <td>EAN-13</td> <td>65mm - 300mm</td> </tr> <tr> <td>5mil</td> <td>PDF417</td> <td>40mm - 100mm</td> </tr> <tr> <td>10mil</td> <td>PDF417</td> <td>30mm - 210mm</td> </tr> <tr> <td>15mil</td> <td>PDF417</td> <td>30mm - 310mm</td> </tr> <tr> <td>20mil</td> <td>DM</td> <td>20mm - 110mm</td> </tr> </tbody> </table> <p>(The minimum depth of field is determined by the barcode length and scanning angle. It depends on the print resolution, contrast and ambient light.)</p>	Precision	Barcode	Depth of Field	5mil	CODE128	40mm - 110mm	5mil	EAN-13	40mm - 110mm	13.34mil	EAN-13	65mm - 300mm	5mil	PDF417	40mm - 100mm	10mil	PDF417	30mm - 210mm	15mil	PDF417	30mm - 310mm	20mil	DM	20mm - 110mm
Precision	Barcode	Depth of Field																							
5mil	CODE128	40mm - 110mm																							
5mil	EAN-13	40mm - 110mm																							
13.34mil	EAN-13	65mm - 300mm																							
5mil	PDF417	40mm - 100mm																							
10mil	PDF417	30mm - 210mm																							
15mil	PDF417	30mm - 310mm																							
20mil	DM	20mm - 110mm																							
Electrical Parameter																									
Current	Working current (Standard): < 280 mA Standby current (Standard): < 210 mA																								
Input Voltage	5 VDC (+/- 10%) / 500mA																								
Environmental Parameter																									
ESD protection	Touch 8 kV; Air 15kV																								
Drop resistance	Withstands repeated drops from 1.2m / 4.0 ft onto a concrete surface																								
Temperature	Operation: -10 to 50 °C Storage/Transport: -20 to 65 °C																								
Humidity (non-condensing)	5 - 95%																								
Ambient light	0 -100,000 lux																								
Interfaces																									
Interfaces	USB HID (USB COM, HID POS, RS-232 available as per customer's needs)																								

