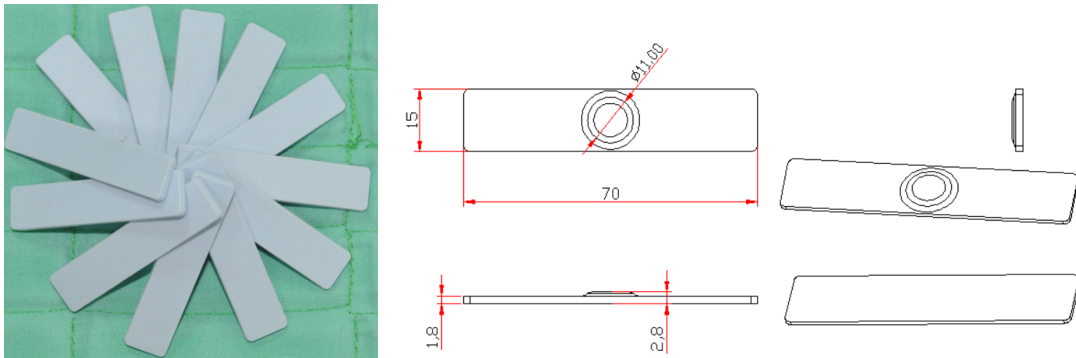


TW7015SMDC RFID Silicone Medical Laundry Tag



Product Overview & Applications

TW7015SMDC is a silicone electronic tag customized for **medical surgical gowns**. Encapsulated in eco-friendly soft silicone material, it contains an enhanced RFID chip suitable for hospitals and industries with harsh laundry environments. It facilitates product tracking, quality control, and inventory management, helping enterprises optimize production and process management.

Product Introduction

- **Material:** Eco-friendly silicone
- **Dimensions:** 70 × 15 × 1.8 mm (chip area thickness 2.8 mm)
- **Weight:** 2.7 g
- **Colors:** Blue, red, black, white, or customized per client request
- **Packaging Process:** Silicone in-mold integrated forming
- **Appearance Options:** Printable, laser serial number, UID code
- **Packaging Method:** 100 pcs/bag, 3000 pcs/box

Product Features

- **Operating Frequency:** 840-960 MHz
- **Standard Protocols:** ISO 18000-6C, EPC Class1 Gen 2
- **Reading Distance:** 2 m
- **Chip:** NXP U9
- **Laundry Durability:** 200 cycles
- **Operating Temperature:** -40 to +200 °C (30 minutes)