

UHF RFID Antenna Ant-RC05-145/145

Application:

- ★ Logistic & warehouse Management, Forklift commodity reading
- ★ Access Control
- ★ Production line & shelves Management
- ★ Material management, Healthcare, Electricity, Military equipment, Finance, Tickets, Animal Husbandry

Features:

- ★ High Performance, Low Front to back Ratio, narrow Sidelobe, Attractive
- ★ Light weight, small size, Low Profile Install and use conveniently
- ★ Fast read & write, no Blind zone identification Multi-tags, high performance
- ★ IP67

Order Description:

- ★865-868MHz: Ant-RC05-145/145-EU
- ★902-928MHz: Ant-RC05-145/145-CA

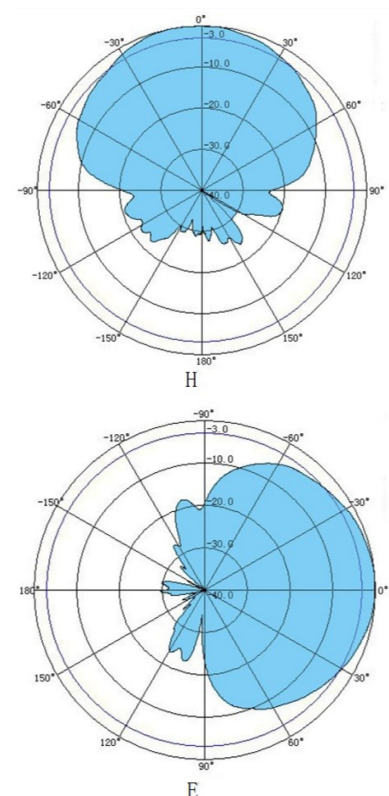
Available Accessories:

Antenna cables(optional,customizable):

- Ant-CA-SMA.M/SMA.M-LMR2-1M
- Ant-CA-SMA.M/SMA.M-LMR2-5M
- Ant-CA-SMA.M/SMA.M-LMR2-15M
- Ant-CA-SMA.M/SMA.M-LMR4-5M
- Ant-CA-SMA.M/SMA.M-LMR4-15M

Mounting sets(optional):

- Pole mounting bracket: Ant-MOT-RC05-145/145-P
- Wall mounting bracket: Ant-MOT-RC05-145/145-W



Specification

Electrical

Frequency Range	902-928MHz / 865-868MHz
Polarization Type	RHCP
Gain	5dBi
3dB Beam-Width. H-Plan	80°
3dB Beam-Width. E-Plan	70°
VSWR	≤1.3
Front to back Ratio	≥17dB
Input Impedance	50Ω
Max Input Power	20W
Lightning Protection	DC Grounded

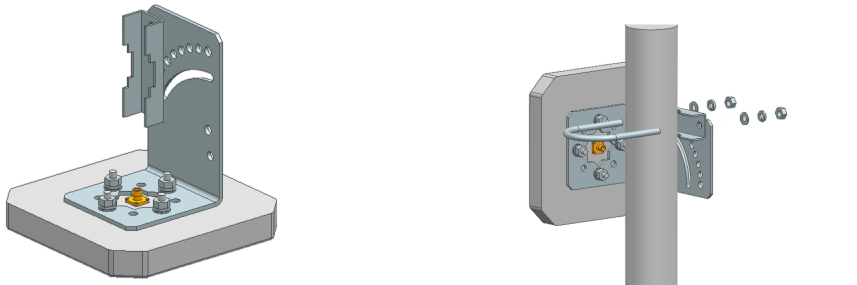
Mechanical

Connector Type	SMA female
Dimensions H*W*D (mm)	145*145*20(mm)
Weight	0.73kg(with mounting bracket)
Radome Material	ABS
Radome color	white
Radiant board material	aluminum
Operating Temperature	-40°C/+60°C
Sealing	IP67
Installation mode	Pole mounted or Wall mounted
Support Pole Diameter	φ30-φ50(mm)
Rated Wind Velocity	60m/s

Installation diagram:

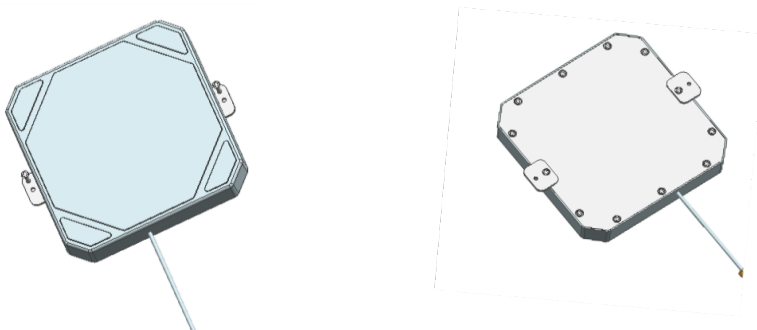
Pole mounted:

Fix the bracket on the antenna with M5 nut, flat washer and spring washer. Then fix the antenna on the support rod with the U-bolt, flat washer, spring washer and fixings.



Wall mounted:

Fix the antenna on the wall or any plane with M3*16 round head self tapping screw.



Notice: Product specifications are subject to change without prior notice. / Model: Ant-RC05-145/145 / Update Date: 2020-07-23

CHAINWAY®

Shenzhen Chainway Information Technology Co., Ltd

Address: 9F, Building2, Phase 2, Gaoxinqi Industrial Park, Liuxian 1st Rd., Bao'an District, Shenzhen, Guangdong 518102, China

Tel: 0086-755-23223316

Fax: 0086-755-23223310

Email: sales@chainway.cn

Web: http://www.chainway.net